



TREPPEN UND FAHRSTEGE
FAHRSTEGE

MP|PONT F

MP PONT F 10, MP PONT F 11, MP PONT F 12

Geneigte Fahrsteige ohne weichem Einstieg für Einkaufszentren, Kaufhäuser, Supermärkte oder ähnliche.

Bedürfnisse, die sich in Lösungen umwandeln

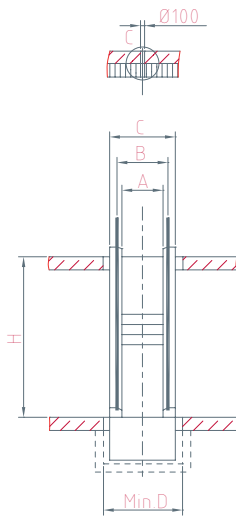
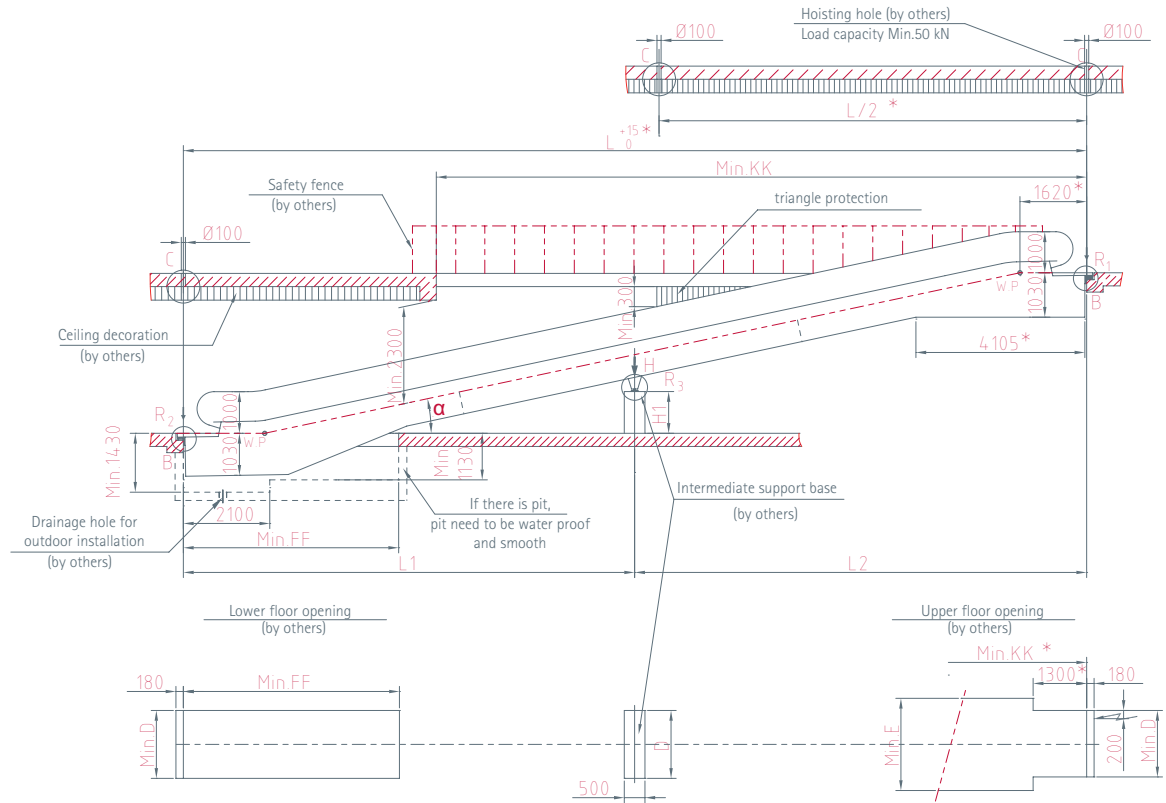
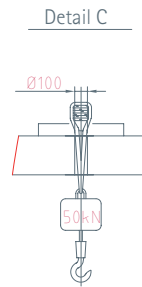
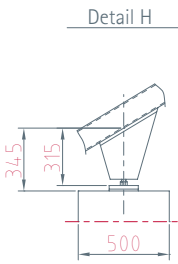
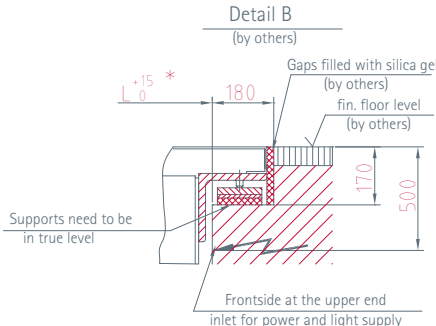


	MP PONT F 10	MP PONT F 11	MP PONT F 12
a	10°	11°	12°
L	Hx5,671+3945	Hx5,145+3755	Hx4,705+3595
KK	17700	16700	15800
FF	5740	5480	5230

A	REAKTION (KN)
800	R1=3,45xL2+14
	R2=3,45xL1+7
	R3=4xL+16
1000	R1=3,85xL2+15,5
	R2=3,85xL1+7,5
	R3=4,5xL+17

Notes:
 1. L, L1 and L2 are in meters
 2. L1 and L2 do not exceed 15 meters.
 3. Applicable in case of one intermediate support. In case of doubt, please contact MP.

A	B	C	D	E
800	1037	1345	1400	1920
1000	1237	1545	1600	2120



- NOTES:
1. Height above sea level of the escalator place should not be higher than 1000m. In case of doubt, please contact MP.
 2. If one of the following situations, the dimensions marked with * shall be extended 500mm:
 - (1) Double drive
 - (2) VVVF
 3. Client should provide the intermediate support base, which can be made of reinforced concrete or metallic structure in right position, in case of horizontal distance L higher than 10m.
 4. The requirements of escalators and building interfaces must be according with the national standards (EN115-1:2008+A1:2010). In case of doubt, please contact MP.